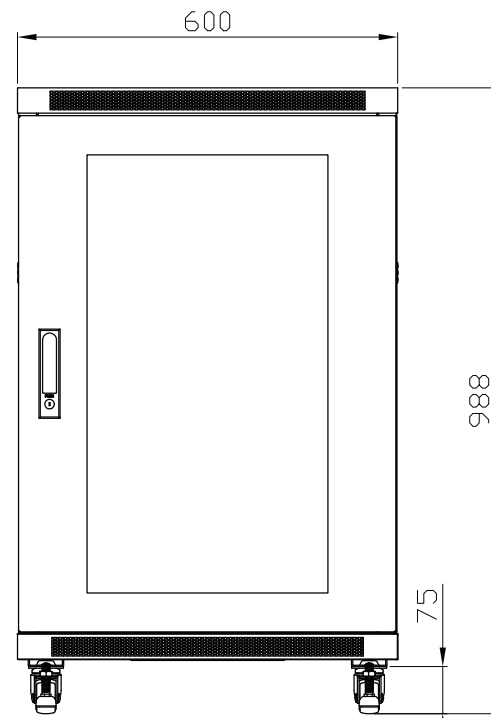
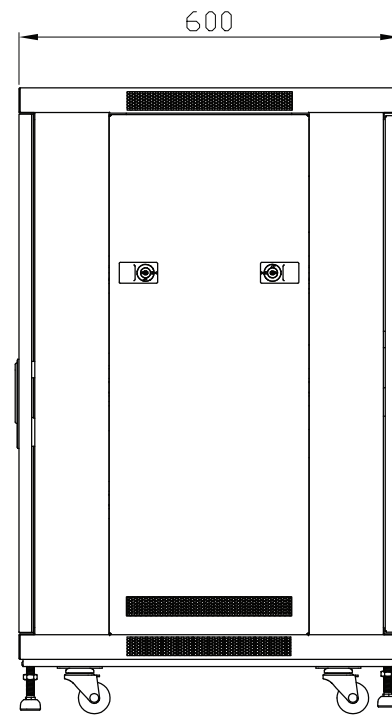


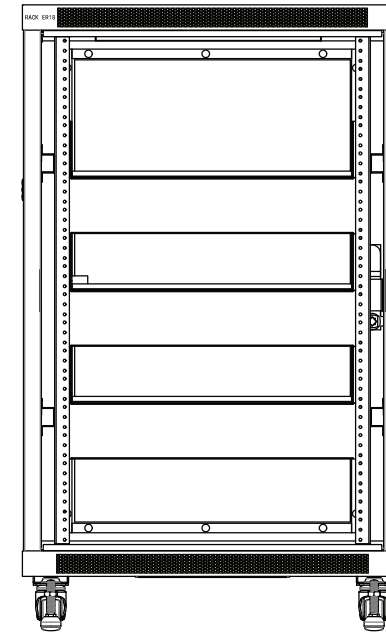
REDRFE18



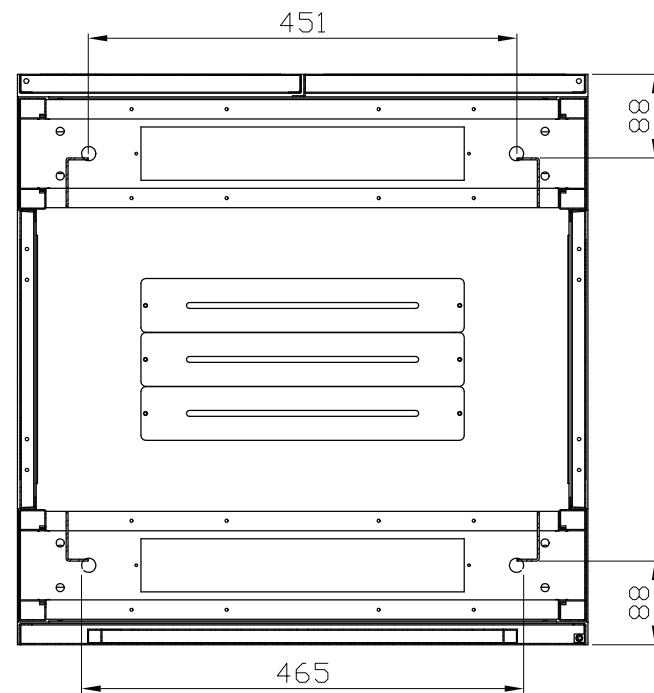
FRONT VIEW



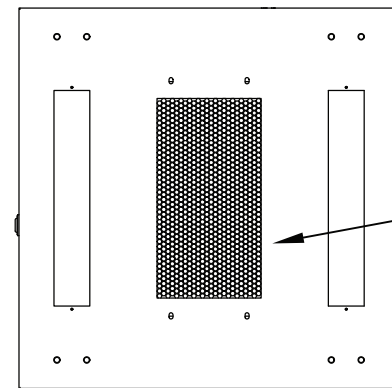
SIDE VIEW



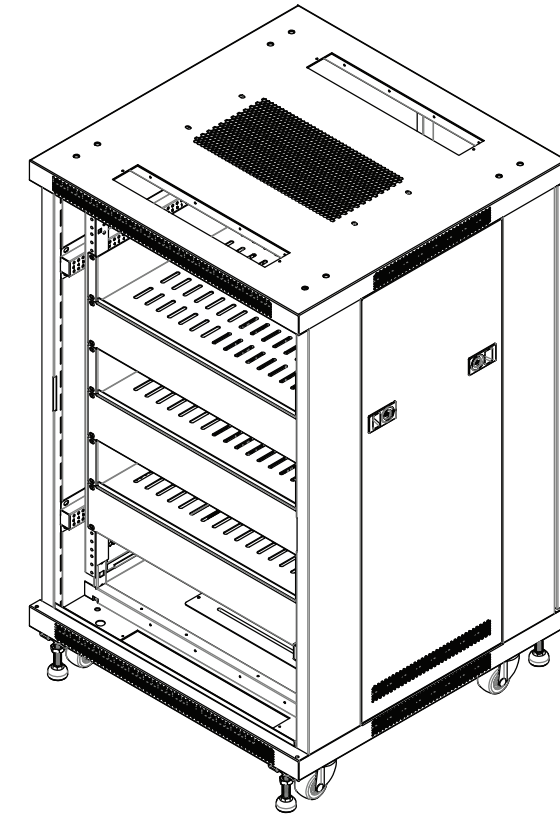
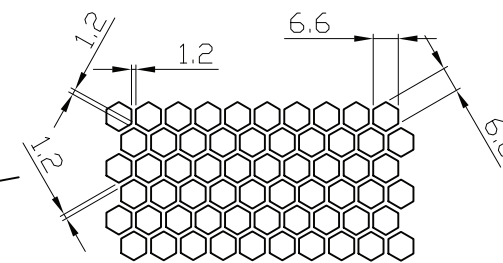
BACK VIEW



CUT-OPEN VIEW



TOP VIEW



- 18 SPACE RACK W/ACTIVE COOLING
- WEIGHT CAPACITY: 500LB
- SOLID PANELS FOR CHIMNEY EFFECT
- 3 EACH 2U SPACE SHELVES
- 3 EACH 2U SPACE BLANKS
- ALL PANELS LOCKABLE W/INCLUDED LOCK
- LOCKING CASTORS AND STABILIZERS